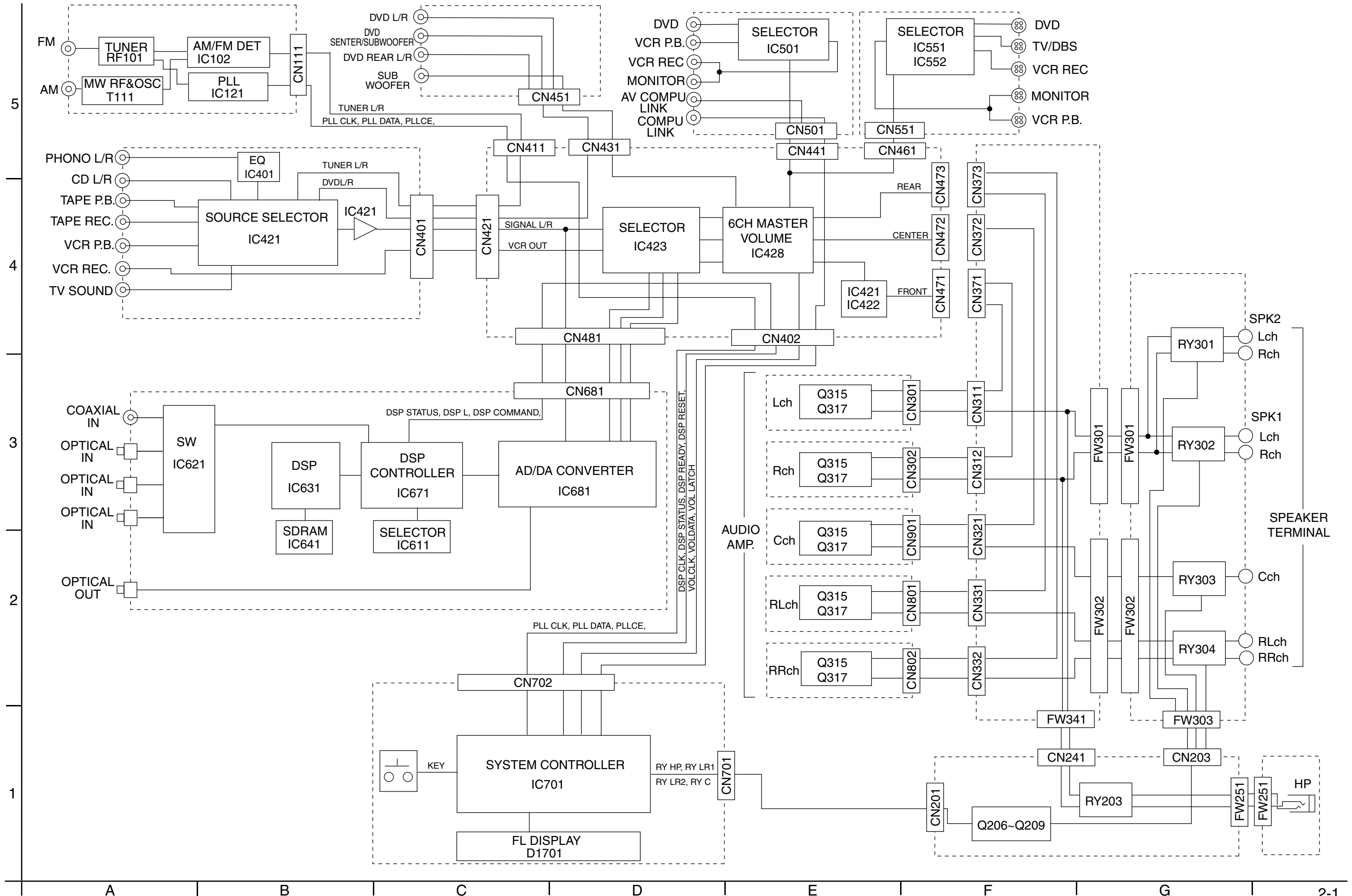


Block diagram

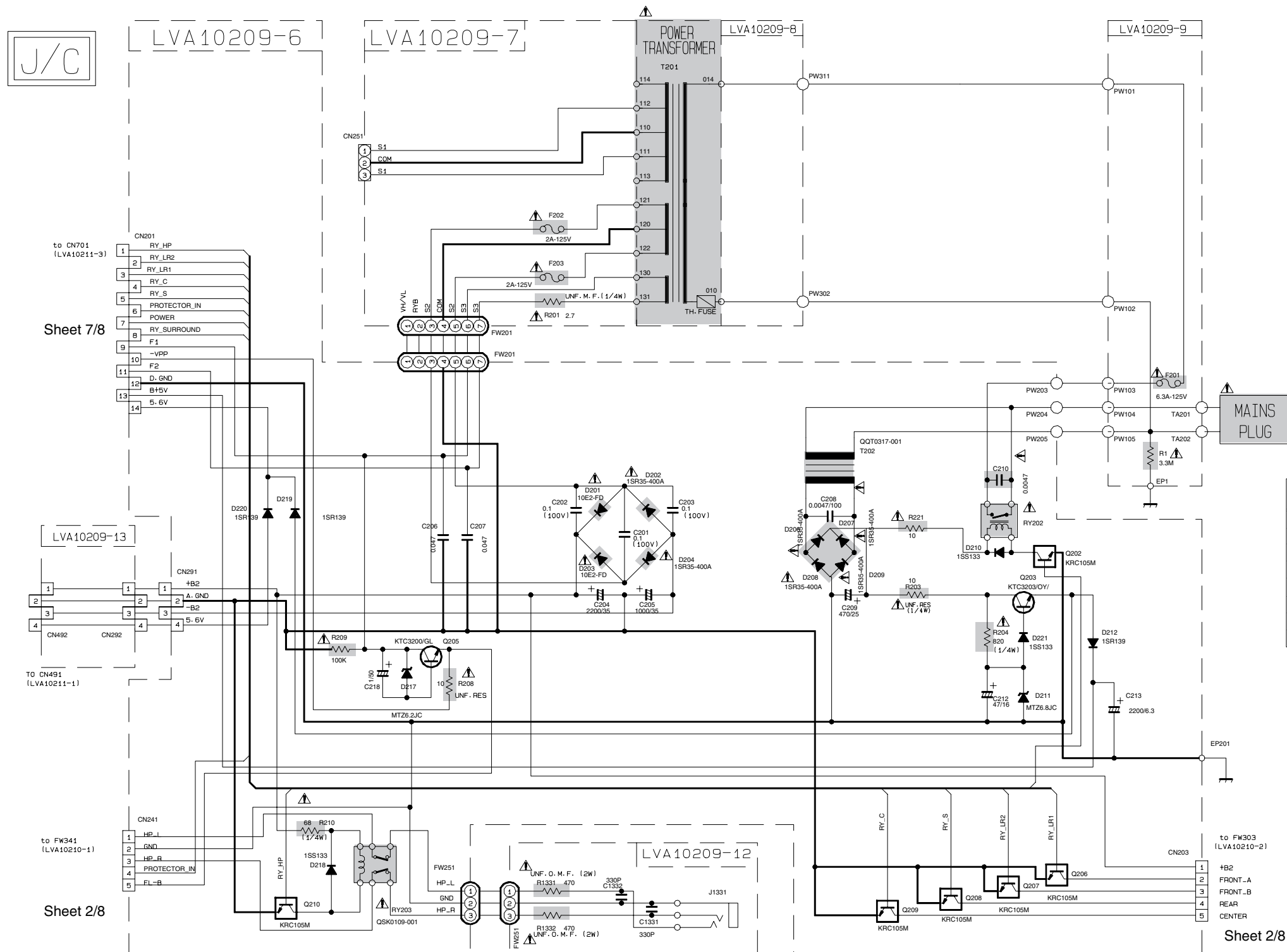


Standard schematic diagrams

RX-7010VBK

Power supply section

5
4
3
2
1



SHEET NUMBER	CIRCUIT DESCRIPTION
1 / 8	POWER SUPPLY
2 / 8	SPEAKER TERMINAL
3 / 8	AUDIO AMP
4 / 8	VOLUME / REGULATOR / SOURCE SELECT IC
5 / 8	AUDIO VIDEO SIGNAL INPUT TERMINAL
6 / 8	SURROUND IC / DIGITAL SIGNAL INPUT TERMINAL
7 / 8	USER CONTROL KEY / SYSTEM CONTROL LSI / FL DISPLAY
8 / 8	TUNER

Parts are safety assurance parts. When replacing those parts make sure to use the specified.

Sheet 7/8

Sheet 2/8

A | B | C | 2-2 | D | E | F | G | H

■ Audio & Speaker terminal section

Sheet 1/8

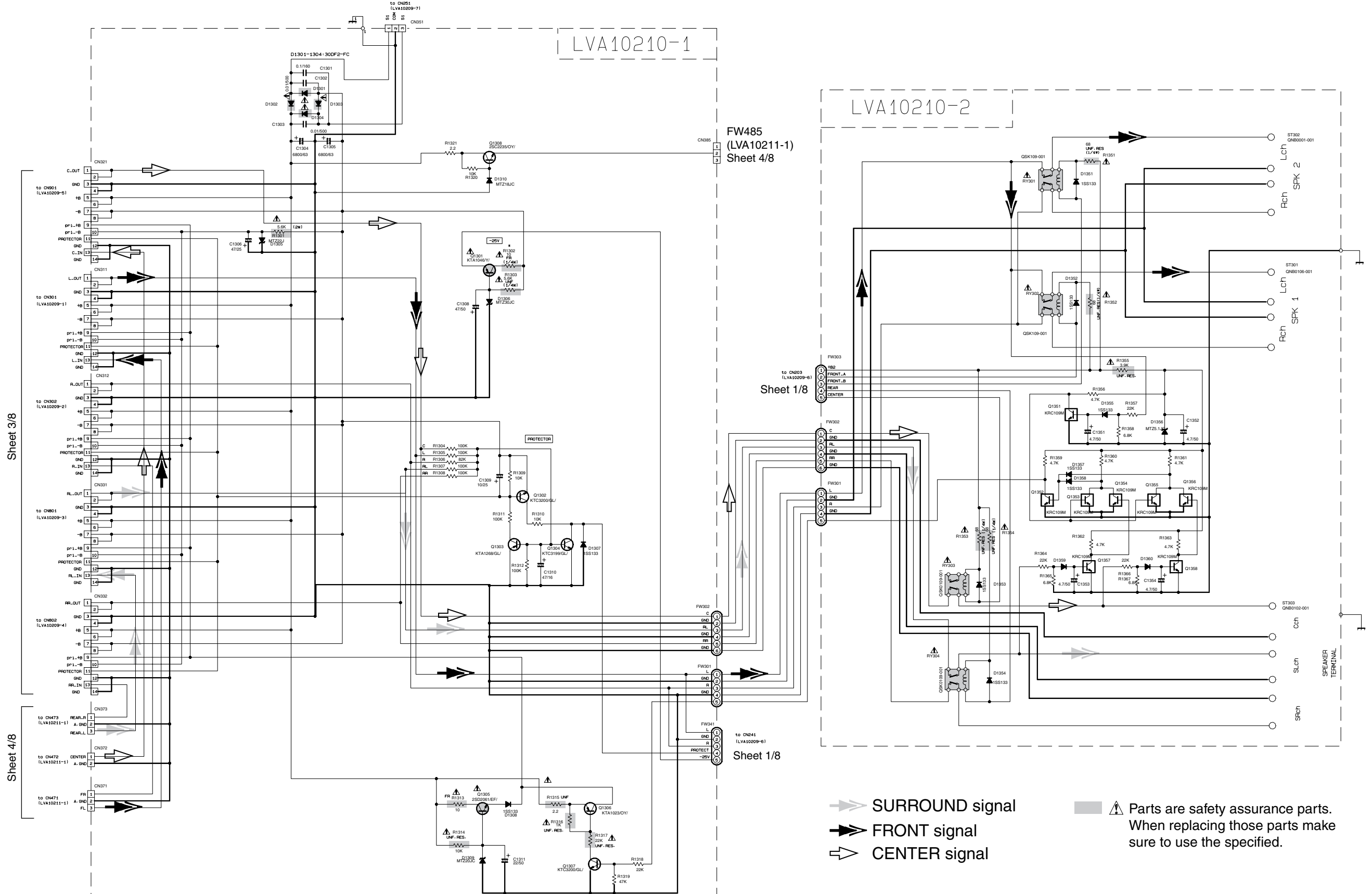
LVA10210-1

FW485
(LVA10211-1)
Sheet 4/8

LVA10210-2

Sheet 1/8

Sheet 1/8

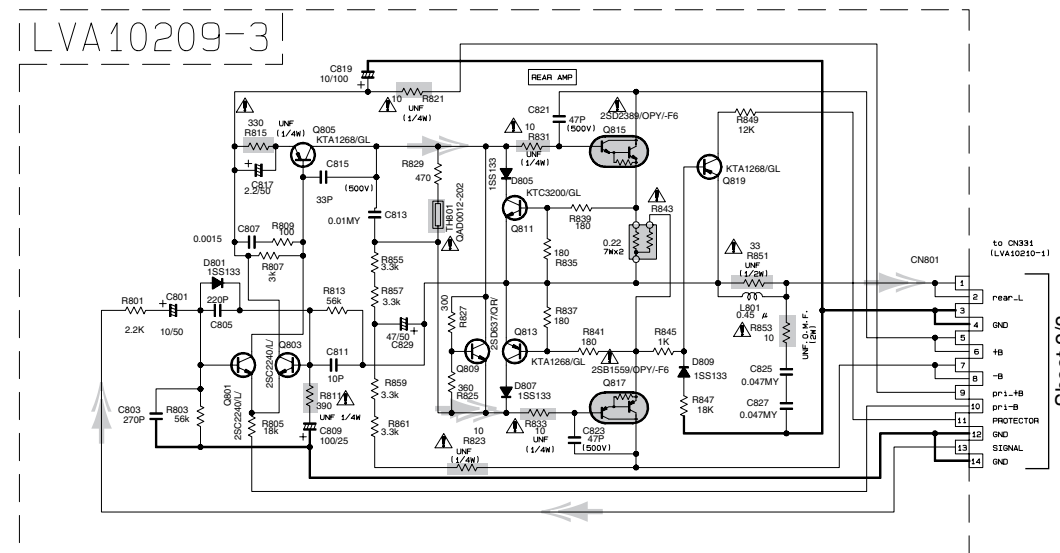
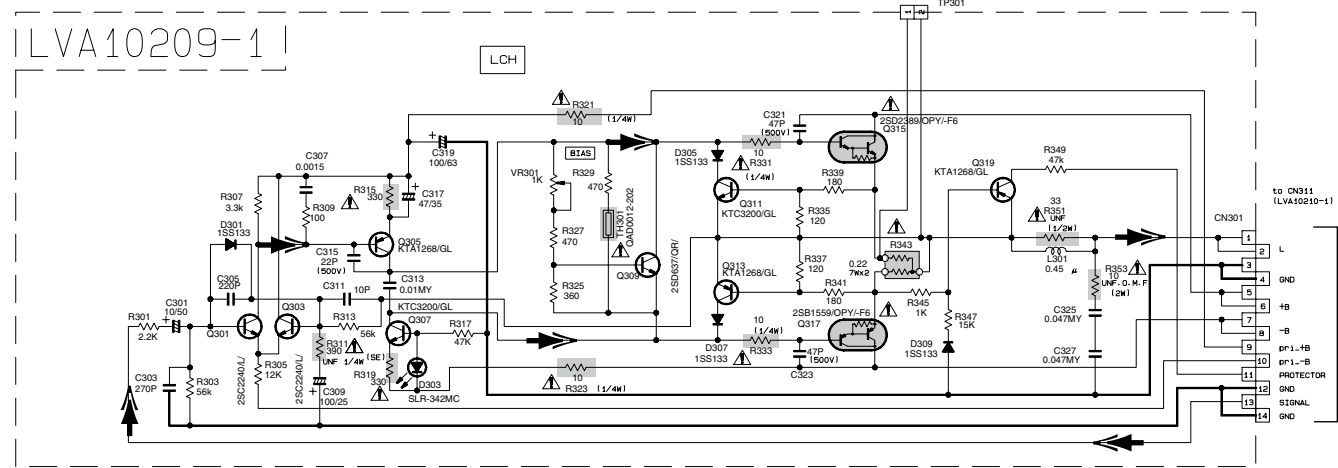


- SURROUND signal
- ➡ FRONT signal
- ⇨ CENTER signal

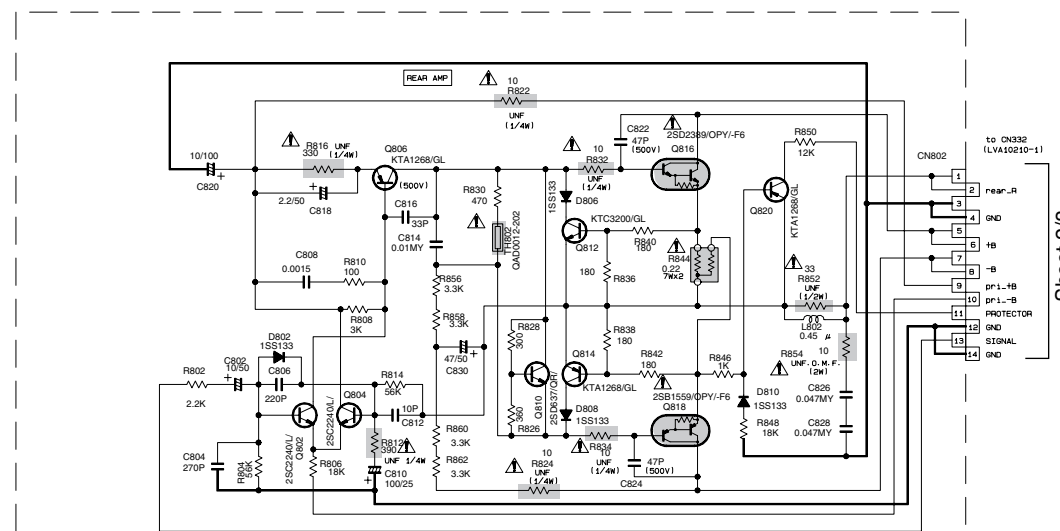
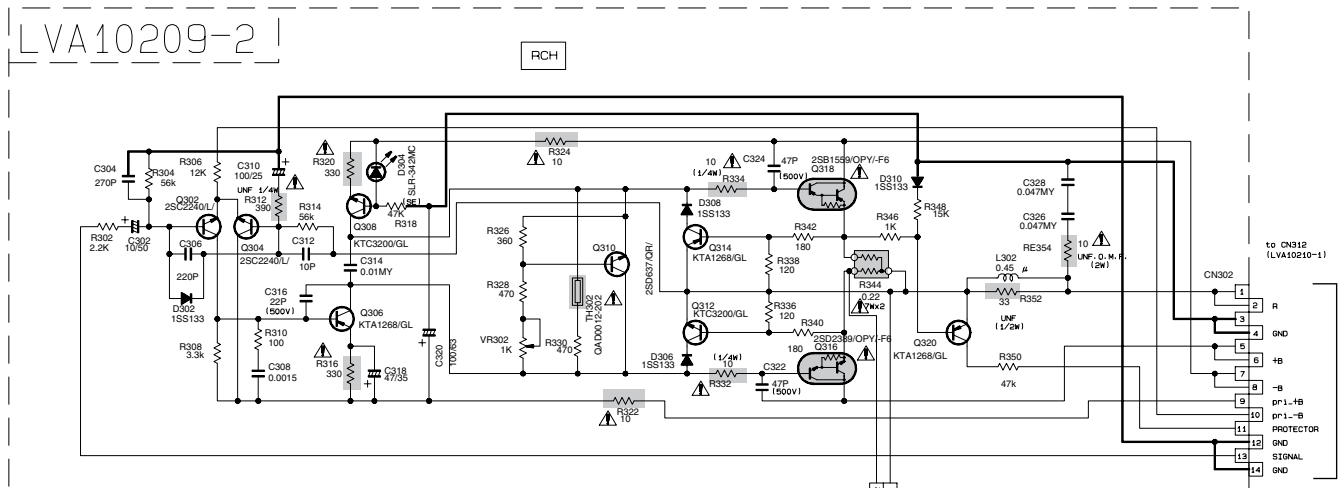
⚠ Parts are safety assurance parts.
When replacing those parts make
sure to use the specified.

Audio amplifier section

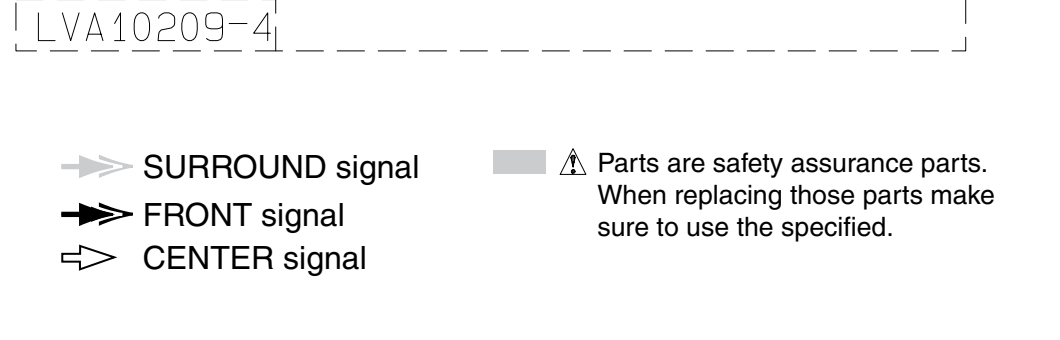
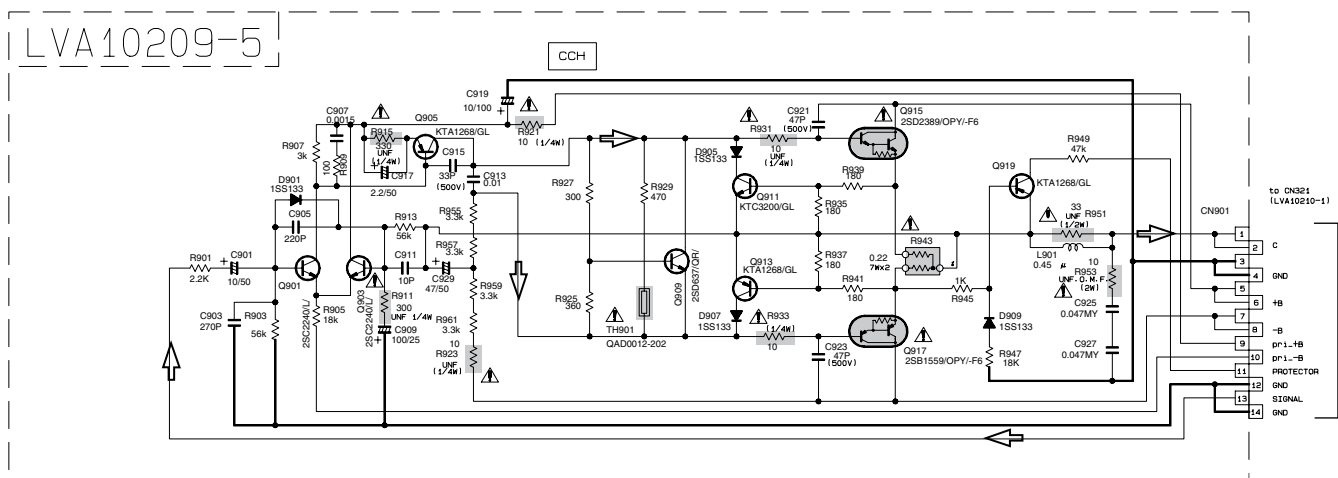
5



4



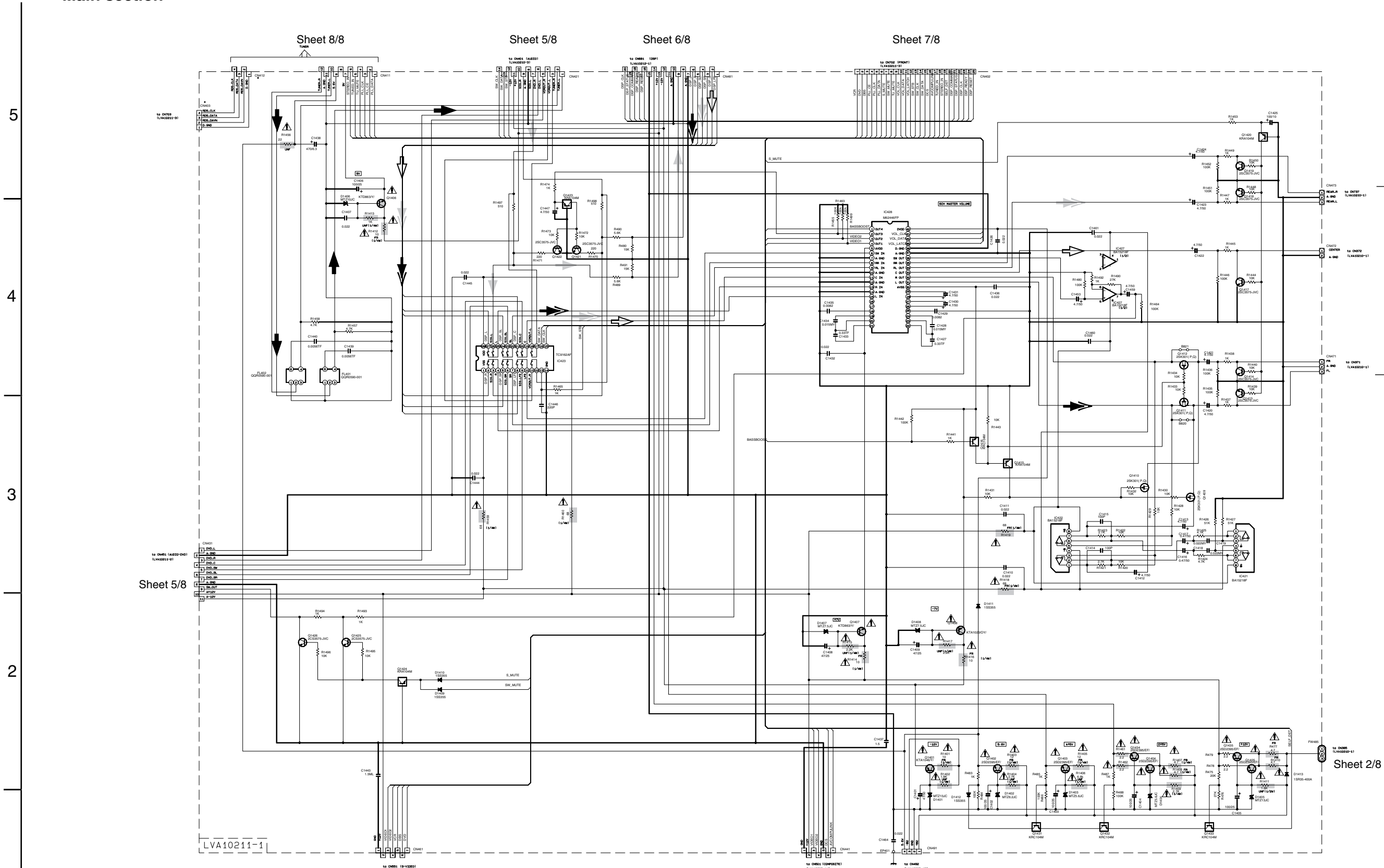
3



2

1

■ Main section



Sheet 5/8

Sheet 8/8

Sheet 5/8

Sheet 6/8

Sheet 7/8

Sheet 2/8

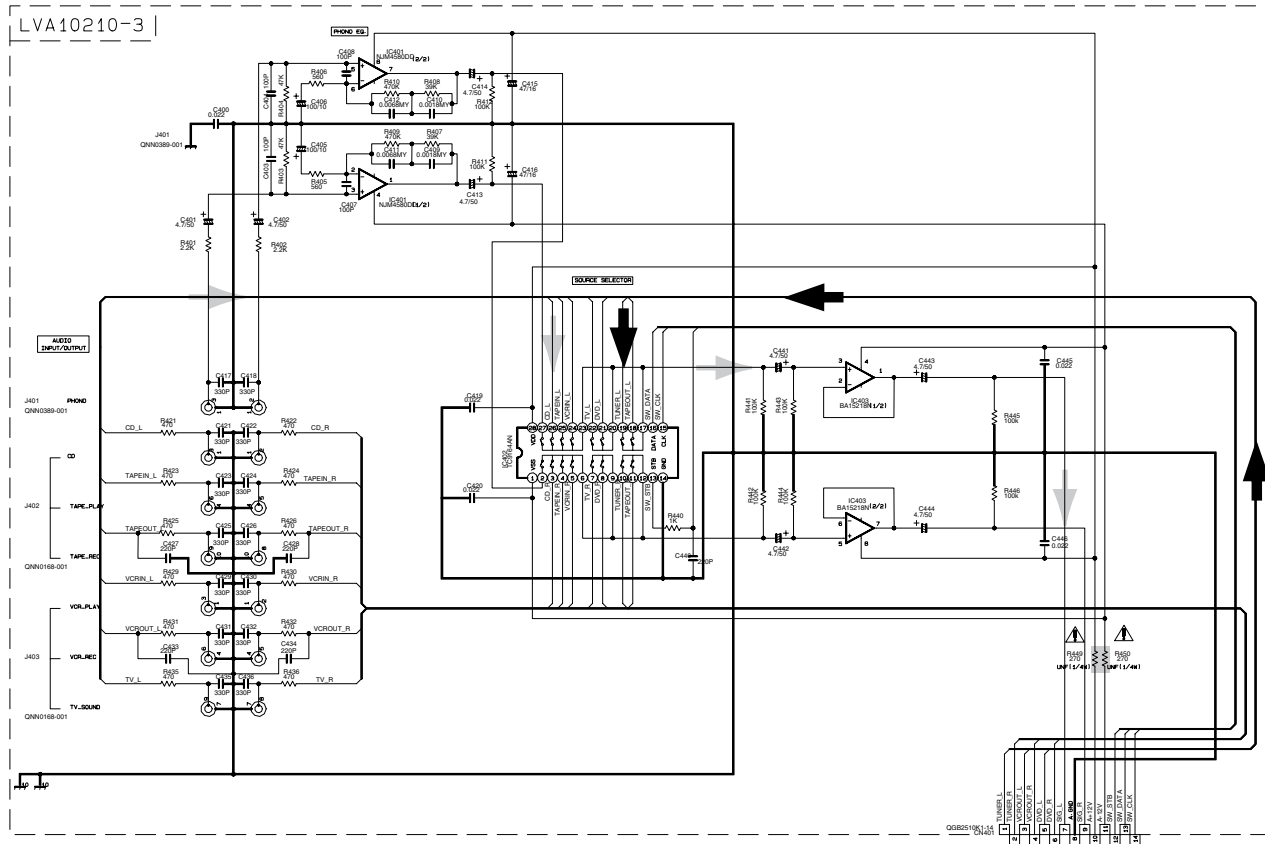
Sheet 2/8

- AUDIO signal
- FRONT signal
- TUNER signal
- SURROUND signal

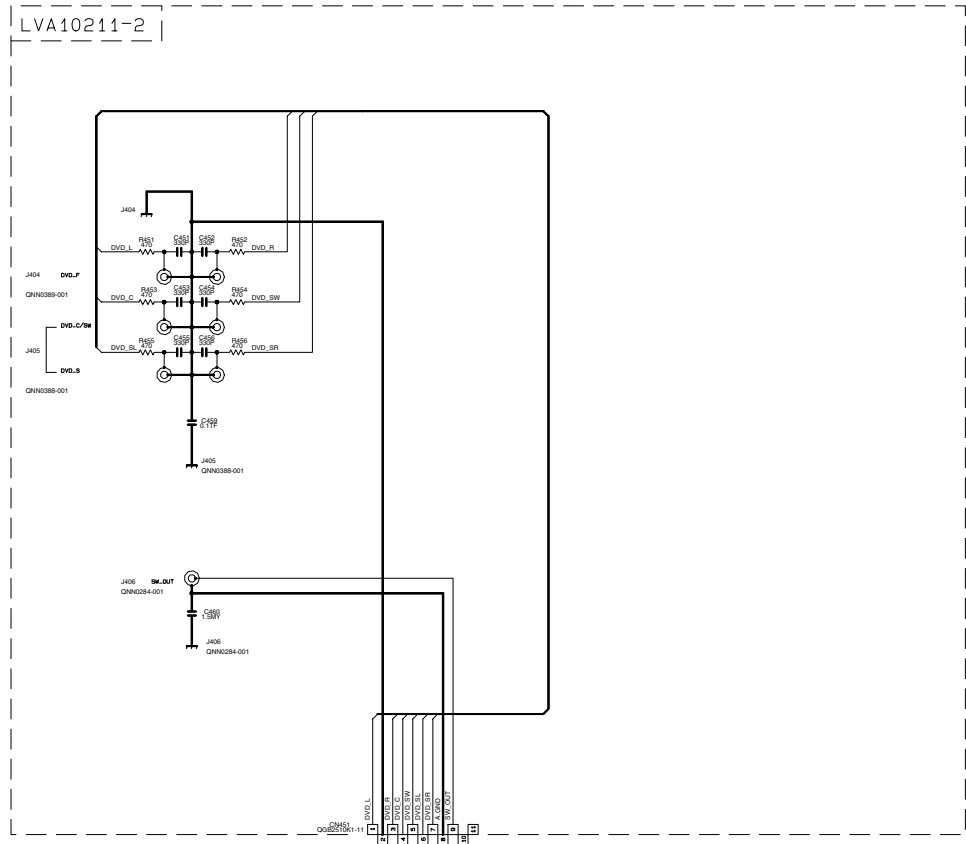
- FRONT signal
- CENTER signal

Parts are safety assurance parts.
When replacing those parts make sure to use the specified.

■ Audio / Video / S Video / DVD signal input section



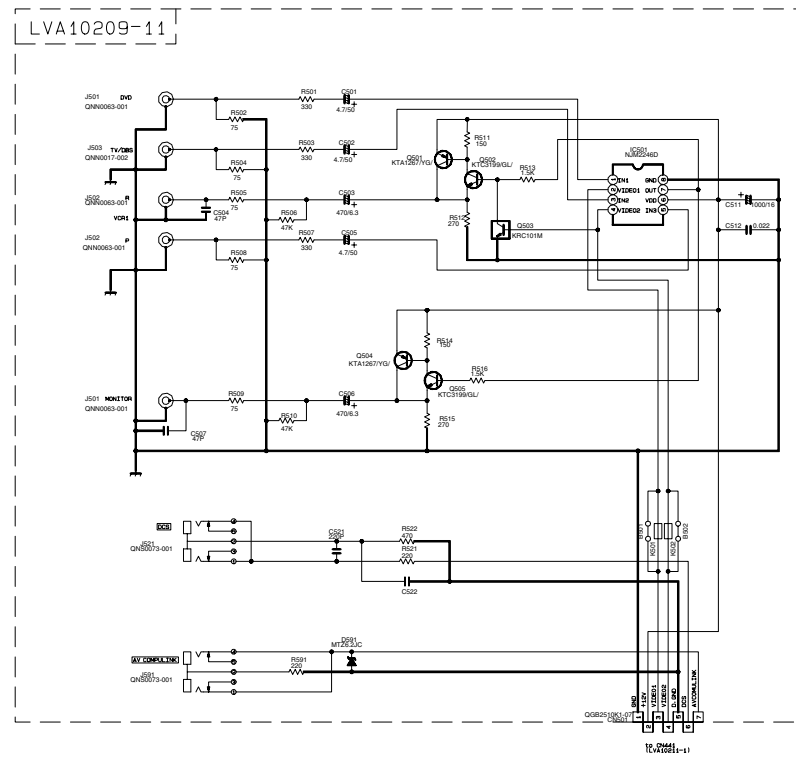
Sheet 4/8



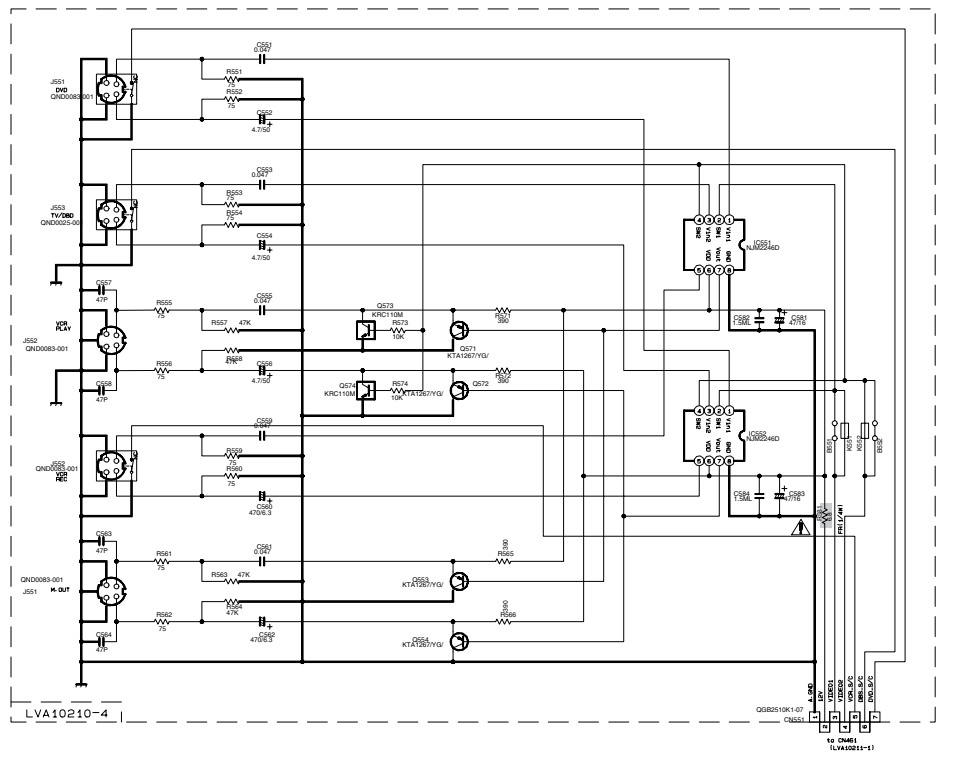
Sheet 4/8

▶ AUDIO signal
▶ TUNER signal

▲ Parts are safety assurance parts.
 When replacing those parts make sure to use the specified.



Sheet 4/8



Sheet 4/8

DSP section

LVA10212-1

5

4

3

2

1

Note
X :None used

- ➔ AUDIO signal
- ➔ SURROUND signal
- ➔ FRONT signal
- ➔ CENTER signal

A

B

C

D

E

F

G

System control and FL displaying section

5

4

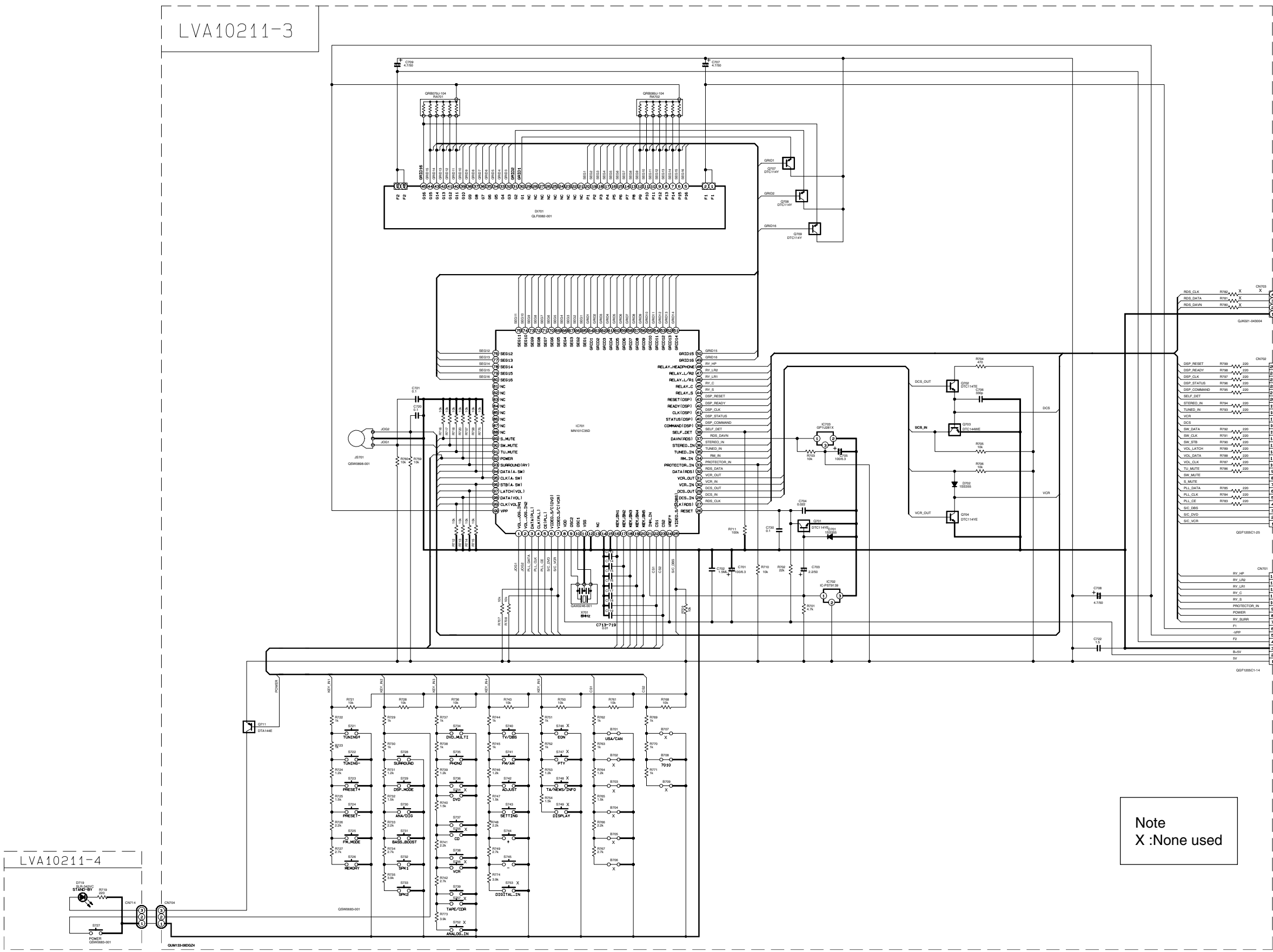
3

2

1

LVA10211-3

LVA10211-4



Note
X :None used

to CN402
(LVA10211-11)
Sheet 4/8

to CN001
(LVA10209-61)
Sheet 1/8

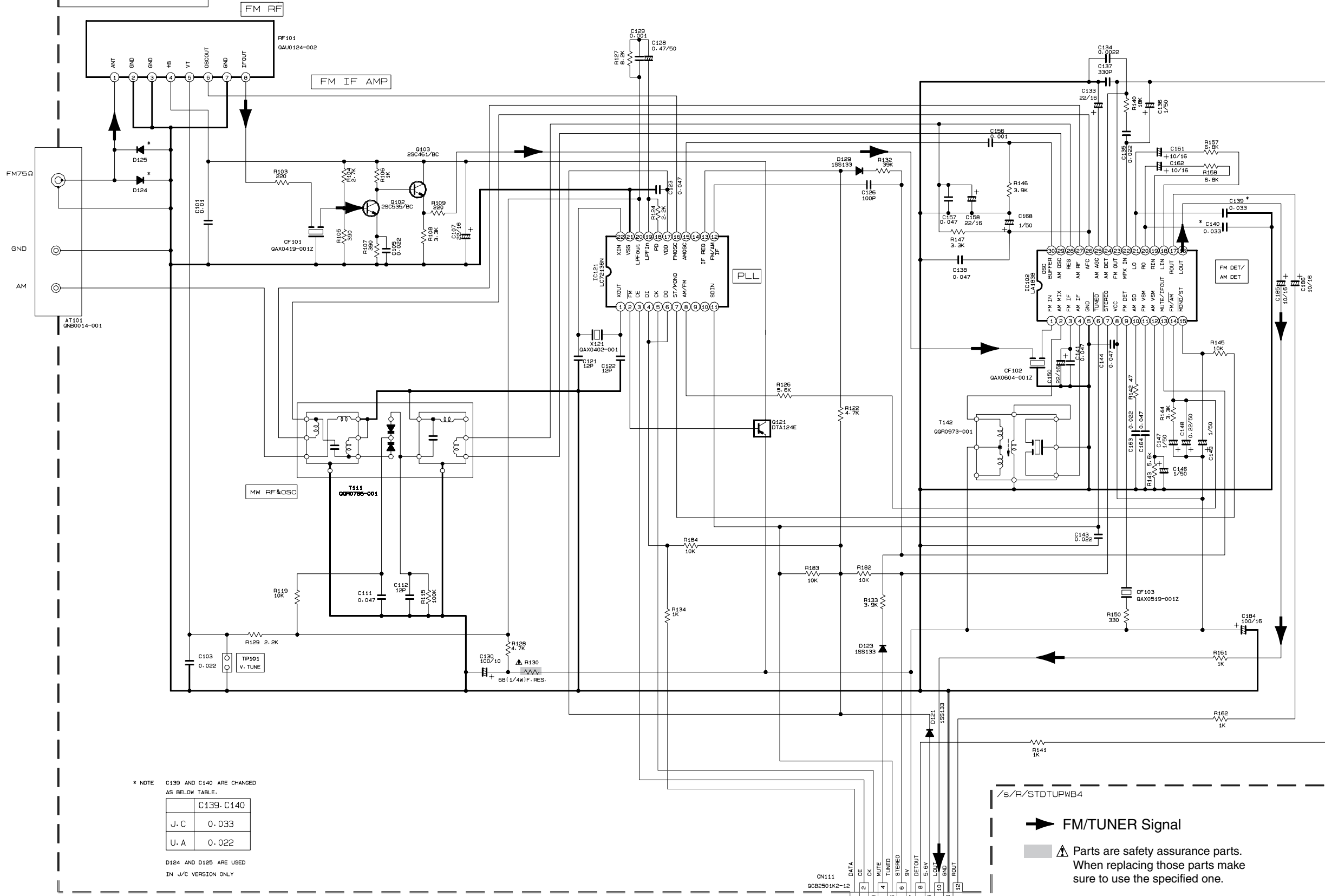
A B C 2-8 D E F G H

■ Tuner section

FOR J, C, U, A

LVA10009

5
4
3
2
1



* NOTE C139 AND C140 ARE CHANGED AS BELOW TABLE.

	C139	C140
J. C	0.033	
U. A	0.022	

D124 AND D125 ARE USED IN J/C VERSION ONLY

➔ FM/TUNER Signal
 ⚠ Parts are safety assurance parts. When replacing those parts make sure to use the specified one.

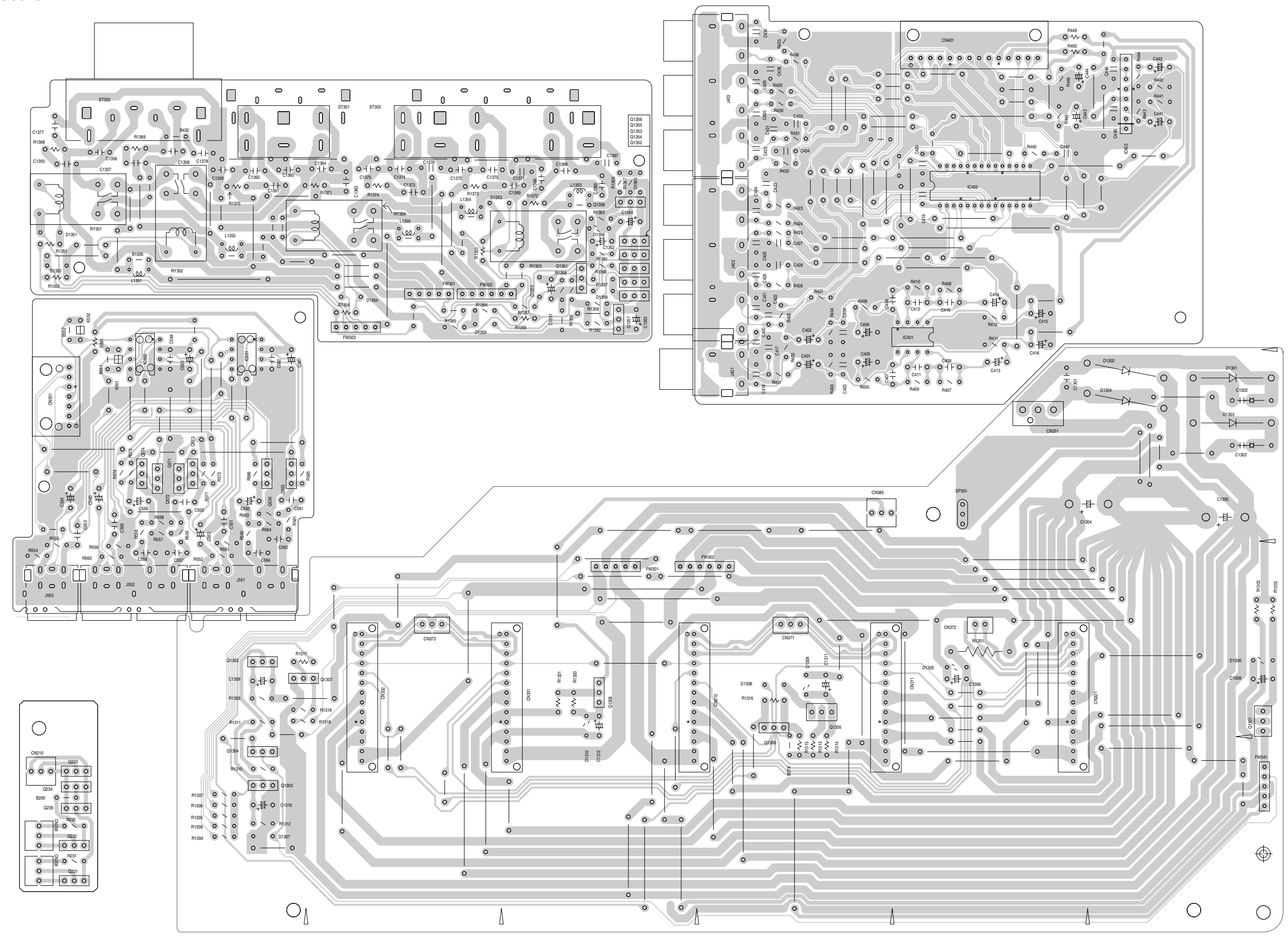


Printed circuit boards

RX-7010VBK

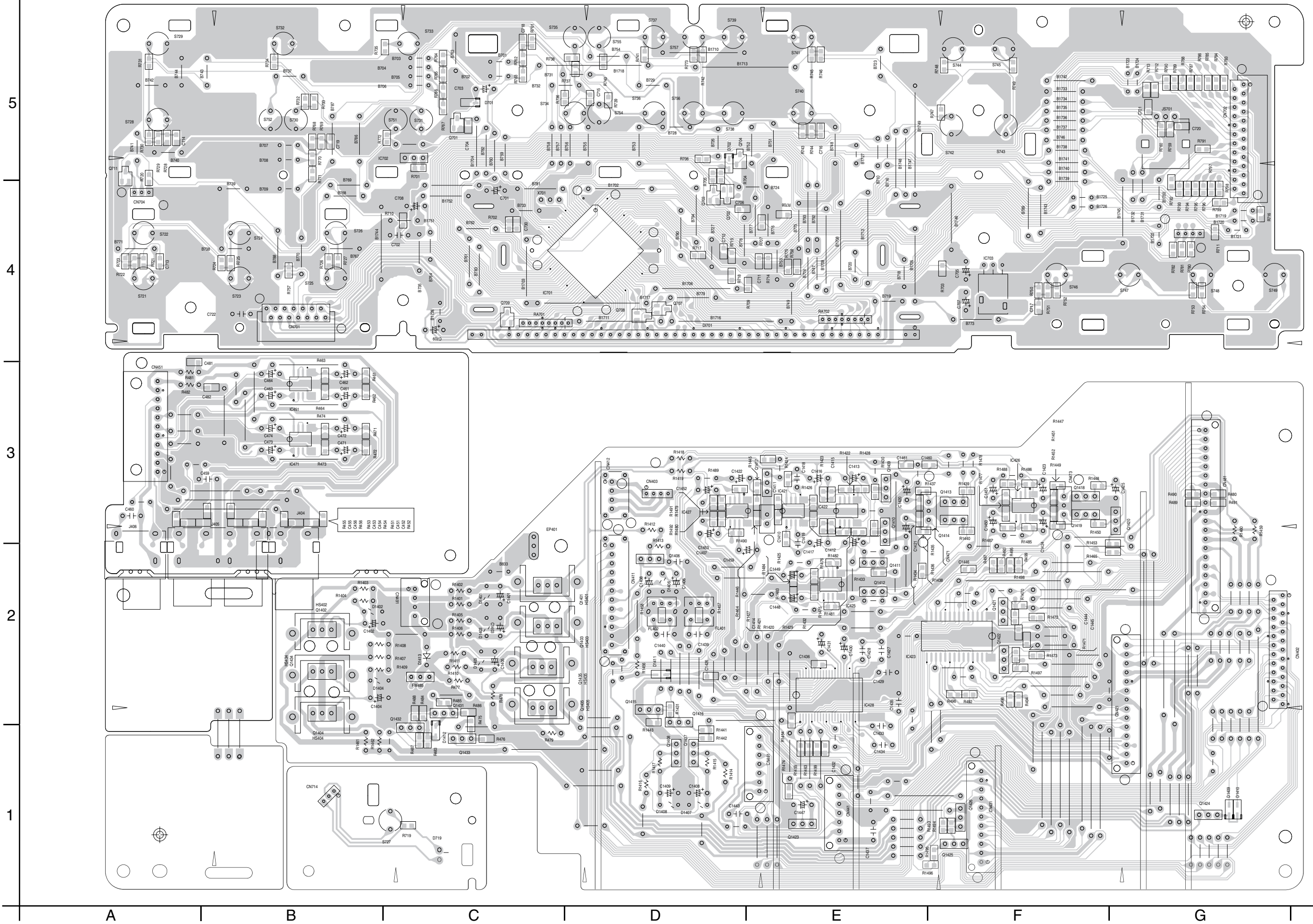
■ Main board

5
4
3
2
1



A | B | C | 2-10 | D | E | F | G | H

■ System control & Audio board



Power amp. board

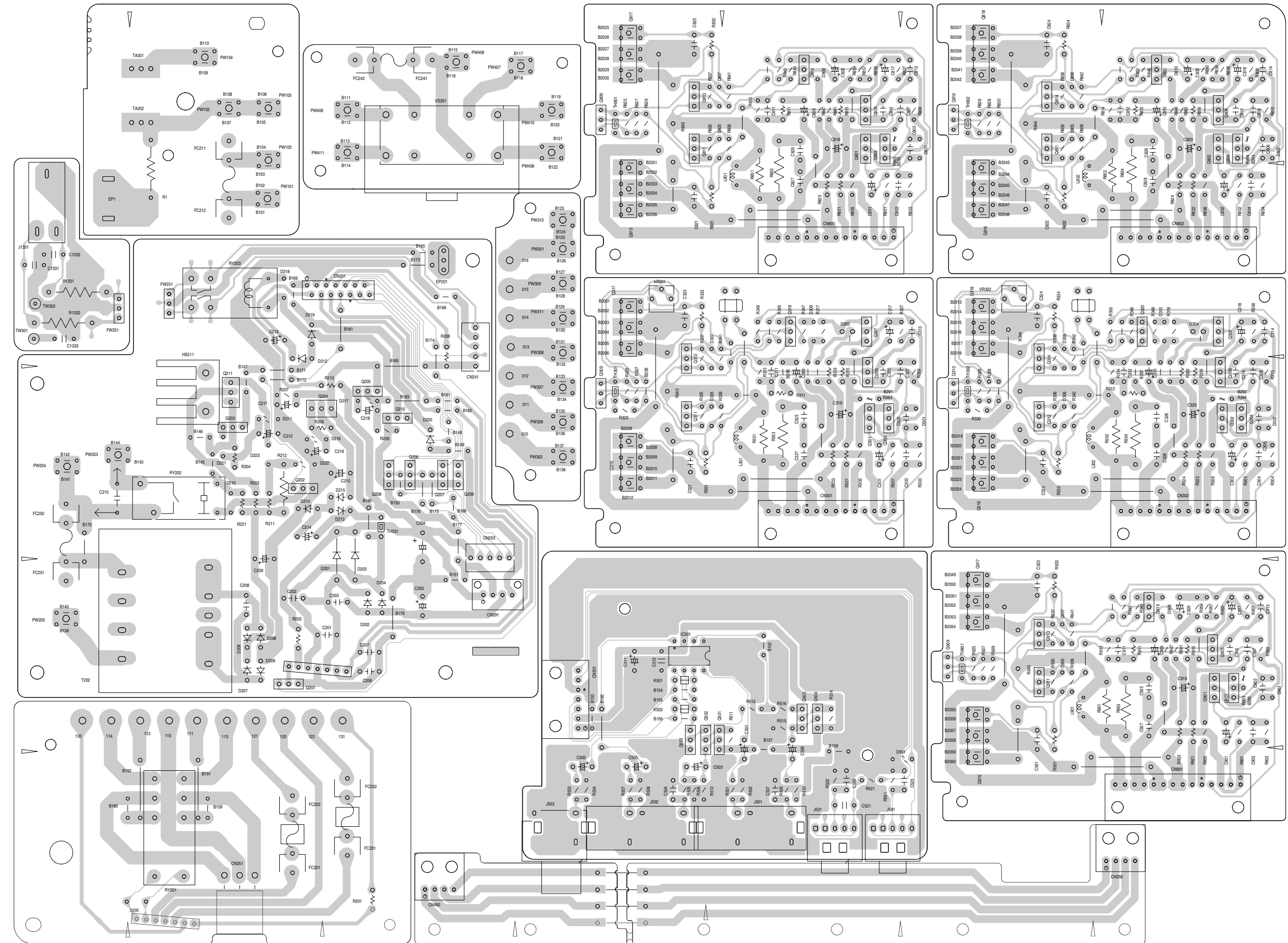
5

4

3

2

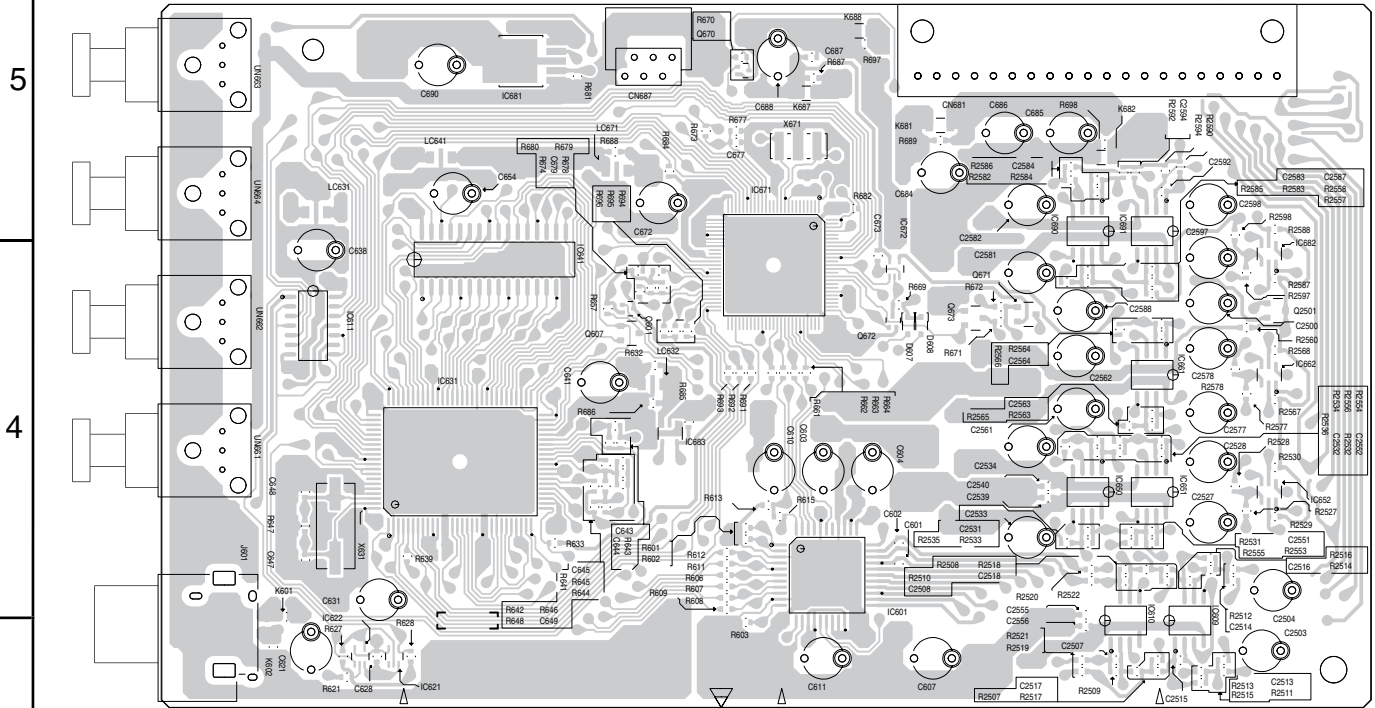
1



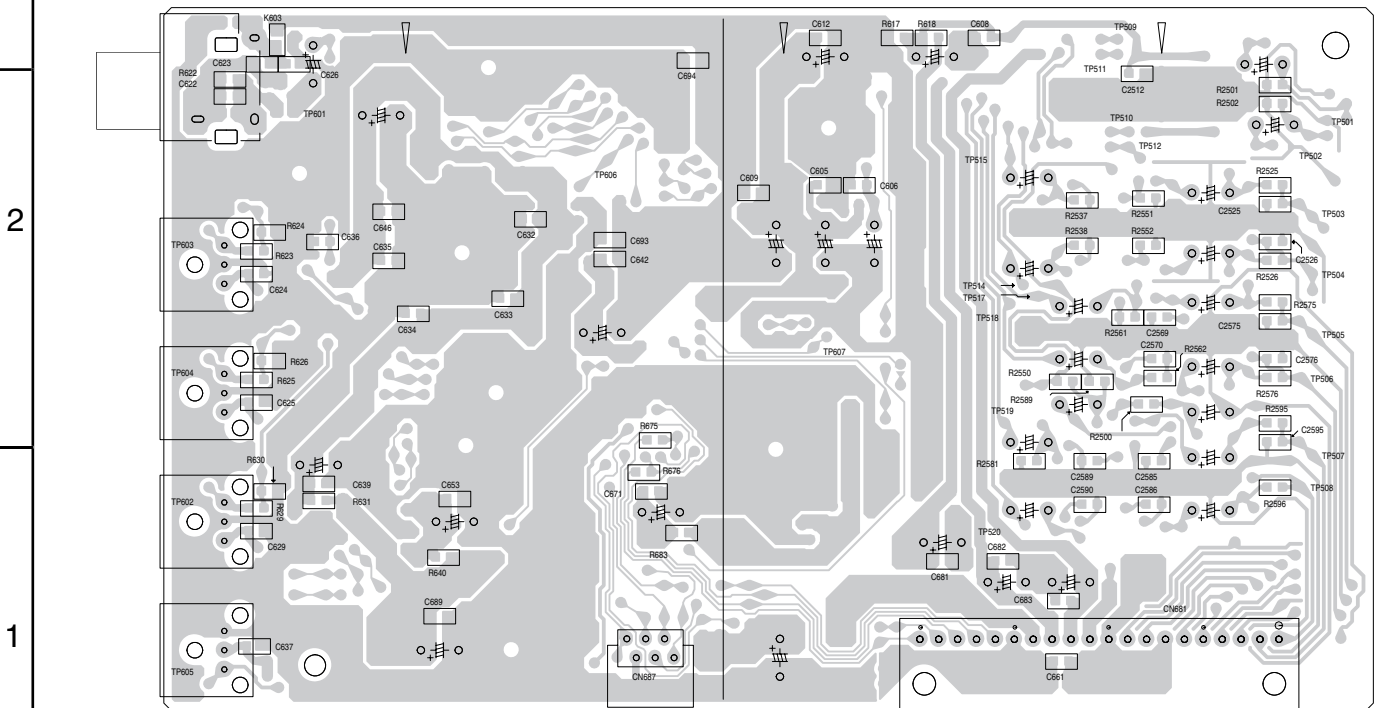
A | B | C | 2-12 | D | E | F | G | H

■ DSP board

Forward side



Reverse side



■ Tuner board

5
4
3
2
1

